

REPAIR PARTS

AWUF Vertical Mount All Aluminum Air Handlers

AWUF180516BA
AWUF180816BA
AWUF240516BA
AWUF240816BA
AWUF241016BA
AWUF300516BA
AWUF300816BA
AWUF301016BA
AWUF360516BA
AWUF360816BA
AWUF361016BA
AWUF370516BA
AWUF370816BA
AWUF371016BA



This manual is to be used by qualified technicians only.

This manual replaces RP-516B.

© 2009 Goodman Manufacturing Company, L.P. ♦ 5151 San Felipe, Suite 500 ♦ Houston, TX 77056

Important Information

Index

Functional Parts List	3
Illustration and Parts	4 - 7

Views shown are for parts illustrations only, not servicing procedures.

Rev. C: Added models AWUF180516BA, AWUF180816BA, AWUF240516BA, AWUF240816BA, and AWUF241016BA.

Text Codes:

AR - As Required

NA - Not Available

NS - Not Shown

00000000 - See Note

QTY - Quantity Example (QTY 3) (If Quantity not shown, Quantity = 1)

M - Model Example (M1) (If M Code not shown, then part is used on all Models)

Expanded Model Nomenclature:

Example M1 - Model#1 M2 - Model#2 M3 - Model#3

Goodman Manufacturing Company, L.P. is not responsible for personal injury or property damage resulting from improper service. Review all service information before beginning repairs.

Warranty service must be performed by an authorized technician, using authorized factory parts. If service is required after the warranty expires, Goodman Manufacturing Company, L.P. also recommends contacting an authorized technician and using authorized factory parts.

Goodman Manufacturing Company, L.P. reserves the right to discontinue, or change at any time, specifications or designs without notice or without incurring obligations.

For assistance within the U.S.A. contact:
Consumer Affairs Department
Goodman Manufacturing Company, L.P.
7401 Security Way
Houston, Texas 77040
877-254-4729-Telephone
713-863-2382-Facsimile

For assistance outside the U.S.A. contact:
International Division
Goodman Manufacturing Company, L.P.
7401 Security Way
Houston, Texas 77040
713-861-2500-Telephone
713-863-2382-Facsimile

Functional Parts

Part

No: Description:

BT1420039	ASSY, 10 KW HEATER LRG (M14)
BT1420034	ASSY, 10 KW HEATER LRG (M8, M11)
BT1420031	ASSY, 10 KW HEATER SML (M5)
BT1420032	ASSY, 5 KW HEATER LRG (M6, M9)
BT1420032	ASSY, 5 KW HEATER LRG (M12)
BT1420029	ASSY, 5 KW HEATER SML (M1, M3)
BT1420030	ASSY, 7.3 KW HEATER SML (M2, M4)
BT1420033	ASSY, 8 KW HEATER LRG (M7, M10)
BT1420040	ASSY, 8 KW HEATER LRG (M13)
PCBFM131	BOARD, ELECTRONIC BLOWER TIME DELAY RELAY (M1, M2, M3, M4, M5, M6, M7, M8, M9, M10, M11)
CAP075000370VAS	CAPACITOR 7.5/370V (M1, M2, M3, M4, M5, M6, M7, M8, M9, M10, M11)
B1370752	HEAT RELAY 208-230, 460, 575 (M12, M13, M14)
BT1243752	PRIMARY LIMIT
B1141643	TRANSFORMER 208/230, 24V

SPECIAL PARTS

IO-281E	INSTALLATION INSTRUCTIONS
PKC-01A	PISTON KIT CHART

Expanded Model Nomenclature

M1 - AWUF180516BA
M2 - AWUF180816BA
M3 - AWUF240516BA
M4 - AWUF240816BA
M5 - AWUF241016BA
M6 - AWUF300516BA
M7 - AWUF300816BA
M8 - AWUF301016BA
M9 - AWUF360516BA
M10 - AWUF360816BA
M11 - AWUF361016BA
M12 - AWUF370516BA
M13 - AWUF370816BA
M14 - AWUF371016BA

Chassis and Coil Tubing Assy

Image 1

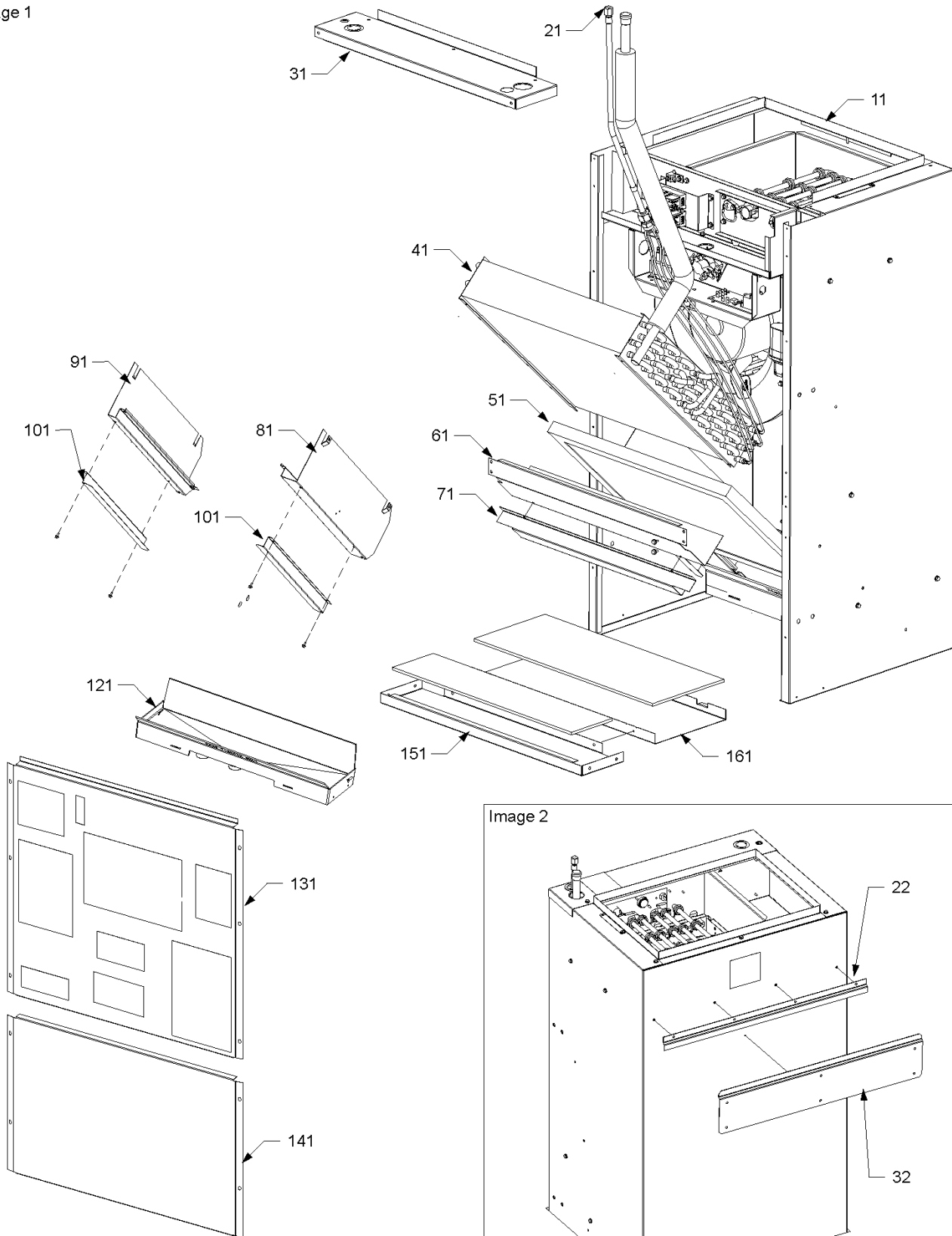
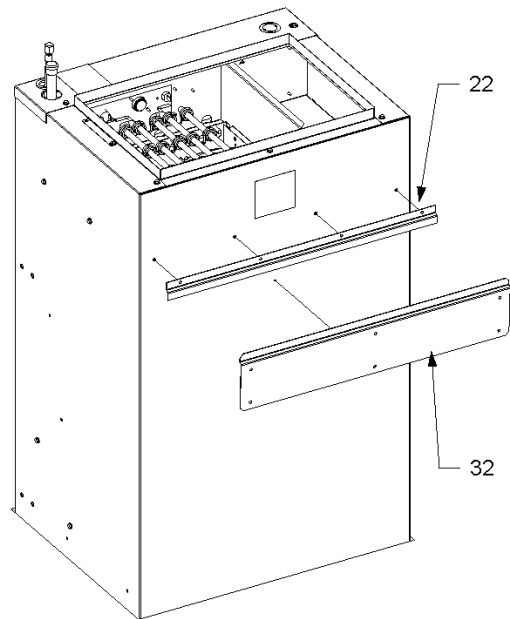


Image 2

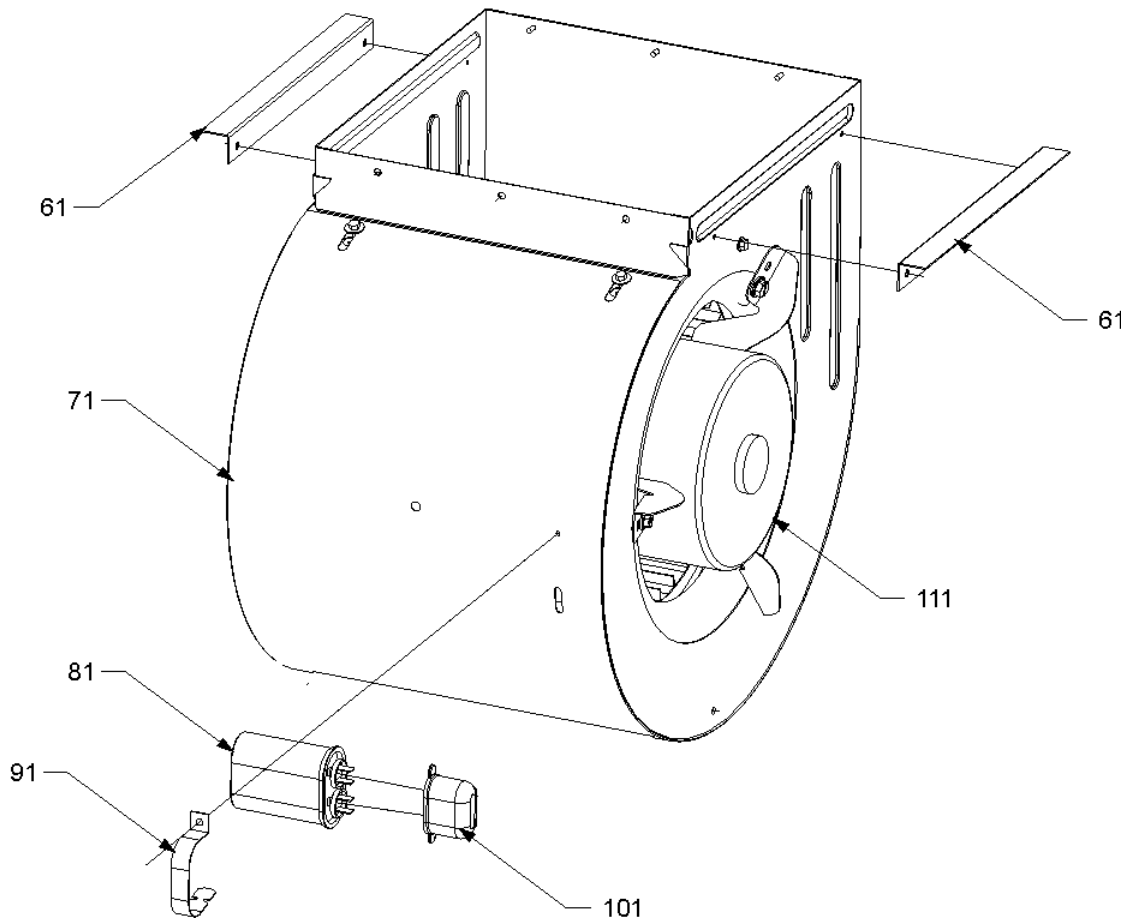
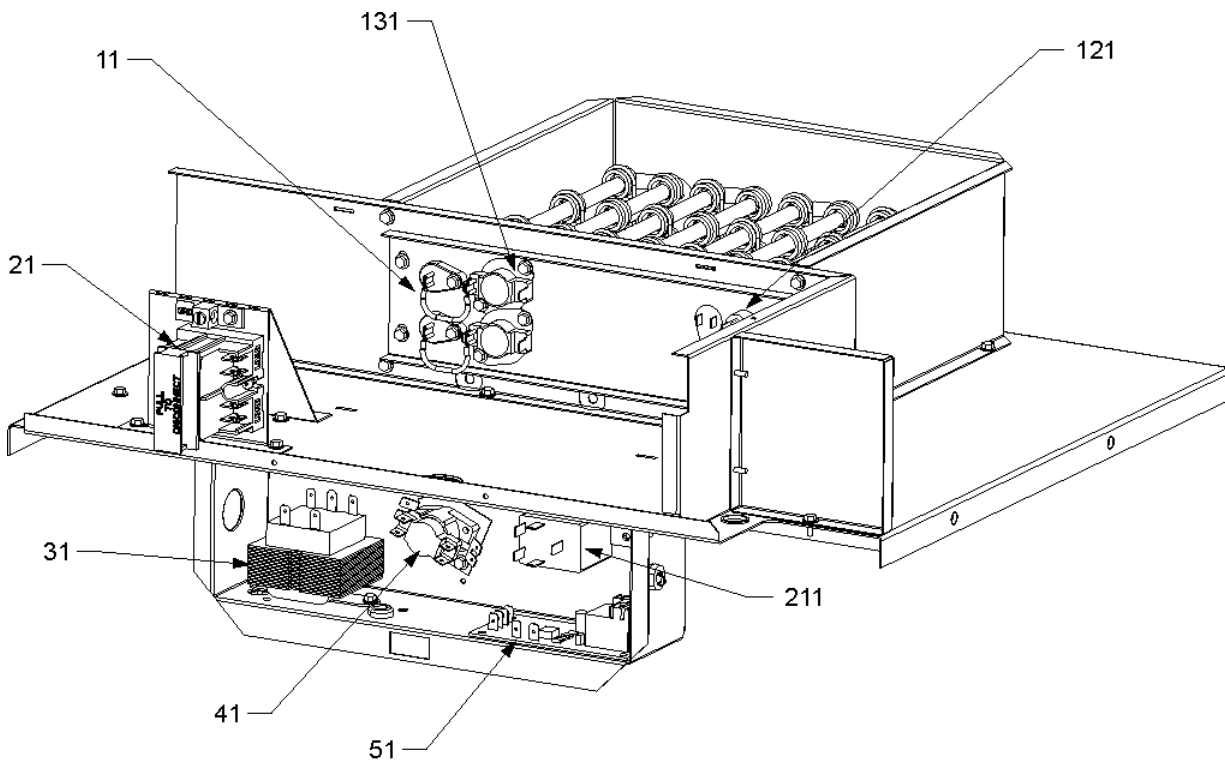


Chassis and Coil Tubing Assy

Ref. Part No:	No:	Description:	Ref. Part No:	No:	Description:														
<i>Image 1:</i>			<i>Image 2:</i>																
11	3702005	WRAPPER, LARGE (M6, M7, M8, M9, M10, M11, M12, M13, M14)	22	3702500	HANGING BRACKET LRG (M6, M7, M8, M9, M10, M11, M12, M13, M14)														
11	3702004	WRAPPER, SMALL (M1, M2, M3, M4, M5)	22	3702501	HANGING BRACKET SML (M1, M2, M3, M4, M5)														
21	0162A00005S	FLOWRATOR (M1, M2)	32	3702800	HANGING BRACKET, FIELD														
21	0162A00006S	FLOWRATOR (M12, M13, M14)	Expanded Model Nomenclature																
21	0162A00007S	FLOWRATOR (M3, M4, M5)	<table border="1"> <tr><td>M1 - AWUF180516BA</td></tr> <tr><td>M2 - AWUF180816BA</td></tr> <tr><td>M3 - AWUF240516BA</td></tr> <tr><td>M4 - AWUF240816BA</td></tr> <tr><td>M5 - AWUF241016BA</td></tr> <tr><td>M6 - AWUF300516BA</td></tr> <tr><td>M7 - AWUF300816BA</td></tr> <tr><td>M8 - AWUF301016BA</td></tr> <tr><td>M9 - AWUF360516BA</td></tr> <tr><td>M10 - AWUF360816BA</td></tr> <tr><td>M11 - AWUF361016BA</td></tr> <tr><td>M12 - AWUF370516BA</td></tr> <tr><td>M13 - AWUF370816BA</td></tr> <tr><td>M14 - AWUF371016BA</td></tr> </table>			M1 - AWUF180516BA	M2 - AWUF180816BA	M3 - AWUF240516BA	M4 - AWUF240816BA	M5 - AWUF241016BA	M6 - AWUF300516BA	M7 - AWUF300816BA	M8 - AWUF301016BA	M9 - AWUF360516BA	M10 - AWUF360816BA	M11 - AWUF361016BA	M12 - AWUF370516BA	M13 - AWUF370816BA	M14 - AWUF371016BA
M1 - AWUF180516BA																			
M2 - AWUF180816BA																			
M3 - AWUF240516BA																			
M4 - AWUF240816BA																			
M5 - AWUF241016BA																			
M6 - AWUF300516BA																			
M7 - AWUF300816BA																			
M8 - AWUF301016BA																			
M9 - AWUF360516BA																			
M10 - AWUF360816BA																			
M11 - AWUF361016BA																			
M12 - AWUF370516BA																			
M13 - AWUF370816BA																			
M14 - AWUF371016BA																			
21	0162A00008S	FLOWRATOR (M6, M7, M8)																	
21	0162A00009S	FLOWRATOR (M9, M10, M11)																	
31	3702105	TOP WRAPPER LRG (M6, M7, M8, M9, M10, M11, M12, M13, M14)																	
31	3702104	TOP WRAPPER SML (M1, M2, M3, M4, M5)																	
41	0270A00286S	TUBING ASSY, EVAP COIL (M1, M2)																	
41	0270A00287S	TUBING ASSY, EVAP COIL (M3, M4, M5)																	
41	0270A00288S	TUBING ASSY, EVAP COIL (M6, M7, M8)																	
41	0270A00289S	TUBING ASSY, EVAP COIL (M9, M10, M11)																	
41	0270A00290S	TUBING ASSY, EVAP COIL (M12, M13, M14)																	
51	BT1369604	AIR FILTER 14 X 18 X 1 (M1, M2, M3, M4, M5)																	
51	BT1369606	AIR FILTER 16 X 20 X 1 (M6, M7, M8, M9, M10, M11)																	
51	BT1369608	AIR FILTER 18 X 20 X 1 (M12, M13, M14)																	
61	0121A00066	CENTER TIE PLATE (M6, M7, M8, M9, M10, M11, M12, M13, M14)																	
61	0121A00067	CENTER TIE PLATE (M1, M2, M3, M4, M5)																	
71	3701802	FILTER OFFSET BRACKET SML (M1, M2, M3, M4, M5)																	
81	3701231	GUTTER RAIL, RIGHT LRG (M6, M7, M8, M9, M10, M11, M12, M13, M14)																	
81	3701224	GUTTER RAIL, RIGHT SML (M1, M2, M3, M4, M5)																	
91	3701232	GUTTER RAIL, LEFT LRG (M6, M7, M8, M9, M10, M11, M12, M13, M14)																	
91	3701225	GUTTER RAIL, LEFT SML (M1, M2, M3, M4, M5)																	
101	3701203	FILTER SUPPORT SML (M1, M2, M3, M4, M5)																	
121	0161R00021	DRAIN PAN LARGE (M6, M7, M8, M9, M10, M11, M12, M13, M14)																	
121	0161R00022	DRAIN PAN SMALL (M1, M2, M3, M4, M5)																	
131	3770031	PANEL, LARGE FRONT ACCESS (M6, M7, M8, M9, M10, M11, M12, M13, M14)																	
131	3770030	PANEL, SMALL FRONT (M1, M2, M3, M4, M5)																	
141	3701505	LOWER ACCESS PANEL-FRONT (M1, M2, M3, M4, M5)																	
151	3702301	BOTTOM TIE PLATE LRG (M6, M7, M8, M9, M10, M11, M12, M13, M14)																	
151	3702303	BOTTOM TIE PLATE SML (M1, M2, M3, M4, M5)																	
161	3701500	ACCESS PANEL, DRAIN LRG (M6, M7, M8, M9, M10, M11, M12, M13, M14)																	
161	3701502	ACCESS PANEL, DRAIN SML (M1, M2, M3, M4, M5)																	
NS	3701242	DRIP SHIELD LRG (M6, M7, M8, M9, M10, M11, M12, M13, M14)																	
NS	BT1787000	VALVE CORE (M6, M7, M8, M9, M10, M11, M12, M13, M14)																	

Image 2:

Blower and Heater Assemblies



Blower and Heater Assemblies

Ref. Part No:	No:	Description:	Ref. Part No:	No:	Description:														
<i>Image 1:</i>			<i>Image 1:</i>																
11	BT1420034	ASSY, 10 KW HEATER LRG (M8, M11)	NS	0121M00038	MOTOR MOUNT BAND (M12, M13, M14)														
11	BT1420039	ASSY, 10 KW HEATER LRG (M14)	NS	0130A00005	X-13 LOW VOLTAGE WIRE HARNESS (M12, M13, M14)														
11	BT1420031	ASSY, 10 KW HEATER SML (M5)	NS	0130M00022	X-13 POWER HARNESS (M12, M13, M14)														
11	BT1420032	ASSY, 5 KW HEATER LRG (M12)	Expanded Model Nomenclature																
11	BT1420032	ASSY, 5 KW HEATER LRG (M6, M9)	<table border="1"> <tr><td>M1 - AWUF180516BA</td></tr> <tr><td>M2 - AWUF180816BA</td></tr> <tr><td>M3 - AWUF240516BA</td></tr> <tr><td>M4 - AWUF240816BA</td></tr> <tr><td>M5 - AWUF241016BA</td></tr> <tr><td>M6 - AWUF300516BA</td></tr> <tr><td>M7 - AWUF300816BA</td></tr> <tr><td>M8 - AWUF301016BA</td></tr> <tr><td>M9 - AWUF360516BA</td></tr> <tr><td>M10 - AWUF360816BA</td></tr> <tr><td>M11 - AWUF361016BA</td></tr> <tr><td>M12 - AWUF370516BA</td></tr> <tr><td>M13 - AWUF370816BA</td></tr> <tr><td>M14 - AWUF371016BA</td></tr> </table>			M1 - AWUF180516BA	M2 - AWUF180816BA	M3 - AWUF240516BA	M4 - AWUF240816BA	M5 - AWUF241016BA	M6 - AWUF300516BA	M7 - AWUF300816BA	M8 - AWUF301016BA	M9 - AWUF360516BA	M10 - AWUF360816BA	M11 - AWUF361016BA	M12 - AWUF370516BA	M13 - AWUF370816BA	M14 - AWUF371016BA
M1 - AWUF180516BA																			
M2 - AWUF180816BA																			
M3 - AWUF240516BA																			
M4 - AWUF240816BA																			
M5 - AWUF241016BA																			
M6 - AWUF300516BA																			
M7 - AWUF300816BA																			
M8 - AWUF301016BA																			
M9 - AWUF360516BA																			
M10 - AWUF360816BA																			
M11 - AWUF361016BA																			
M12 - AWUF370516BA																			
M13 - AWUF370816BA																			
M14 - AWUF371016BA																			
11	BT1420029	ASSY, 5 KW HEATER SML (M1, M3)																	
11	BT1420030	ASSY, 7.3 KW HEATER SML (M2, M4)																	
11	BT1420033	ASSY, 8 KW HEATER LRG (M7, M10)																	
11	BT1420040	ASSY, 8 KW HEATER LRG (M13)																	
21	BT1753510S	PULL OUT DISCONNECT																	
31	B1141643	TRANSFORMER 208/230, 24V																	
41	B1256551	SEQUENCER 5 KW (M1, M3, M6, M9, M12)																	
41	B1256552	SEQUENCER 8 - 10 KW (M2, M4, M5, M7, M8, M10, M11, M13, M14)																	
51	PCBFM131	BOARD, ELECTRONIC BLOWER TIME DELAY RELAY (M1, M2, M3, M4, M5, M6, M7, M8, M9, M10, M11)																	
61	3702702	BLOWER ANGLE 6.063" (M1, M2, M3, M4, M5)																	
61	3702701	BLOWER ANGLE 8.531" (M6, M7, M8, M9, M10, M11, M12, M13, M14)																	
71	3760200S	BLOWER HOUSING (M1, M2, M3, M4, M5)																	
71	3760202S	BLOWER HOUSING (M6, M7, M8, M9, M10, M11, M12, M13, M14)																	
81	CAP075000370VAS	CAPACITOR 7.5/370V (M1, M2, M3, M4, M5, M6, M7, M8, M9, M10, M11)																	
91	3784800	CAPACITOR STRAP (M1, M2, M3, M4, M5, M6, M7, M8, M9, M10, M11)																	
101	B821700	CAPACITOR BOOT (M6, M7, M8, M9, M10, M11)																	
111	0131M00103S	BLOWER MOTOR 1/2 HP, X13 PROGRAMMED (M12, M13, M14)																	
111	BT1340031S	BLOWER MOTOR 1/3 HP, 2 SP, 6 PL (M6, M7, M8, M9, M10, M11)																	
111	BT1340030S	BLOWER MOTOR 1/5 HP, 2 SP, 6 PL (M1, M2, M3, M4, M5)																	
121	0200086001P	THERMAL LIMIT																	
131	BT1243752	PRIMARY LIMIT																	
211	B1370752	HEAT RELAY 208-230, 460, 575 (M12, M13, M14)																	
NS	3739000	BLOWER CUT-OFF 6" (M1, M2, M3, M4, M5)																	
NS	BT1368008S	BLOWER WHEEL 10 X 6 (M3, M4, M5)																	
NS	B1368016S	BLOWER WHEEL 10 X 8 (M12, M13, M14)																	
NS	B1368042S	BLOWER WHEEL 9 X 6 (M1, M2)																	
NS	B1368036S	BLOWER WHEEL 9 X 8 (M6, M7, M8, M9, M10, M11)																	
NS	B1392143	GROMMET, 26TAL F/TORSIN FLEX (M6, M7, M8, M9, M10, M11)																	
NS	B1393322	MACHINE SCREW HWH 1/4-20 X 1-1/2 BZ (M12, M13, M14)																	
NS	B1393309	MACHINE SCREW, 1/4-20 TPI X 3/4" LG (M1, M2, M3, M4, M5)																	
NS	B1376861	MOTOR MOUNT ARM (M12, M13, M14)																	

